

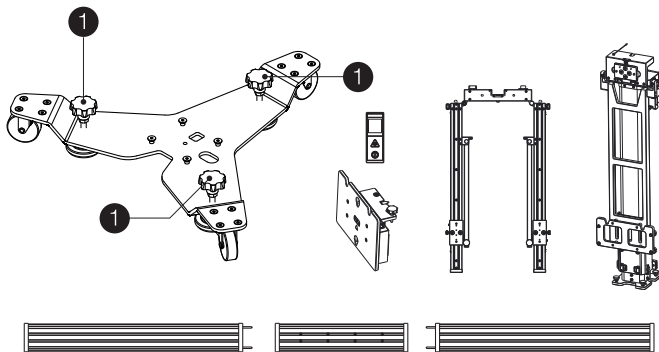
Thank you for purchasing this Autel IA600 Calibration Frame. This product is manufactured to a high standard and will provide years of trouble-free performance when used in accordance with these instructions and properly maintained. Please read this guide carefully before use.



IMPORTANT:

- This guide applies to both the camera version and the laser version of the IA600 calibration frame. The camera version is used as the basis for the illustrations in this guide.
- Please follow the guide to assemble. Improper assembly may cause damage and will result in failure to calibrate.

Assembling the Calibration Frame

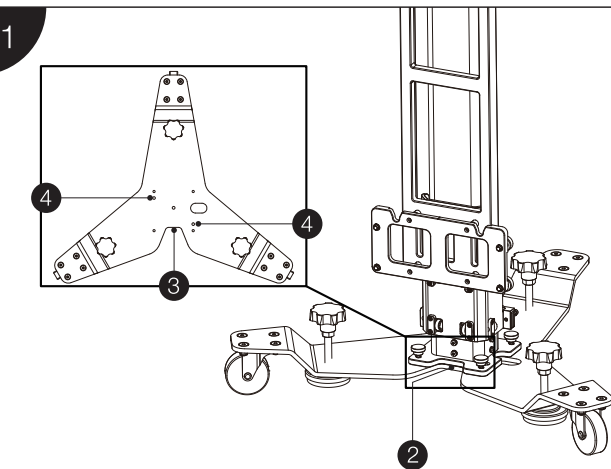


Preparation:

Ensure you have all needed parts before beginning assembly. Remove all parts from their package. Place the base on a level surface with plenty of space.

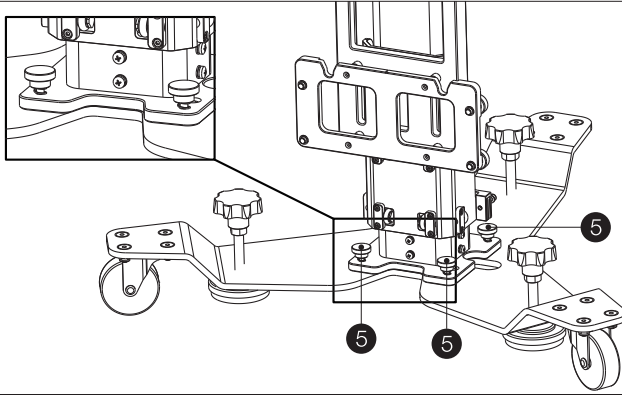
Tighten each knob (1) on the base until it is secured to the ground.

Assembling the Stand



Lift the stand, then set the stand bottom groove (2) and the base groove (3) in the same direction. Hold the stand over the base, aligning the two positioning slots on the stand with the two positioning pins (4) on the base. Connect the stand to the base by inserting the pins into the slots.

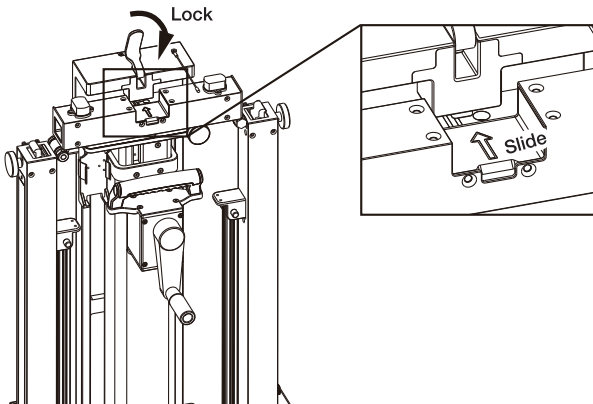
2



Tighten the four knobs (5) to lock the stand in place.

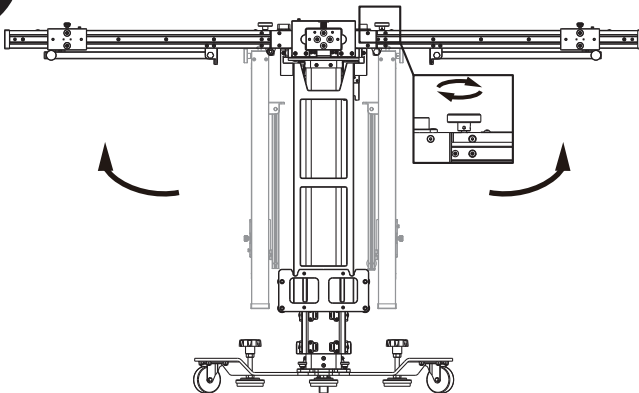
Installing the Upper Crossbar

1



Stand behind the stand. Follow the arrow sign to slide the upper crossbar into the slot in the middle of the deflection plate. Pull the crossbar locking level downward to lock the crossbar.

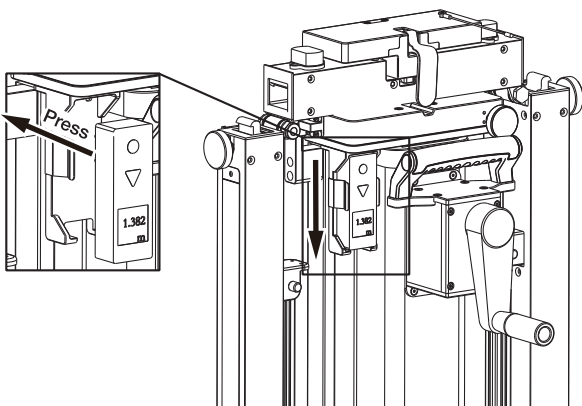
2



Manually raise both arms of the crossbar until they are parallel and make sure the folding arm latches are locked.

Tighten the crossbar fastening knobs to secure the crossbar.

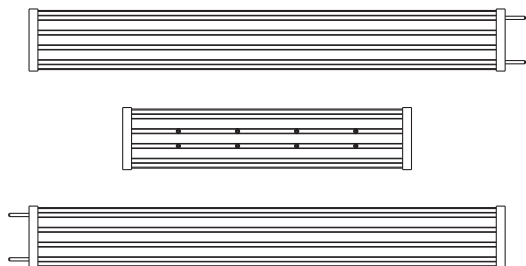
Installing the Laser Measurement Unit



Insert the laser measurement unit into its holder. The laser end should be facing down and fit snugly against the bottom of the holder.

Installing the Lower Crossbar and the Large Sliding Plate

1

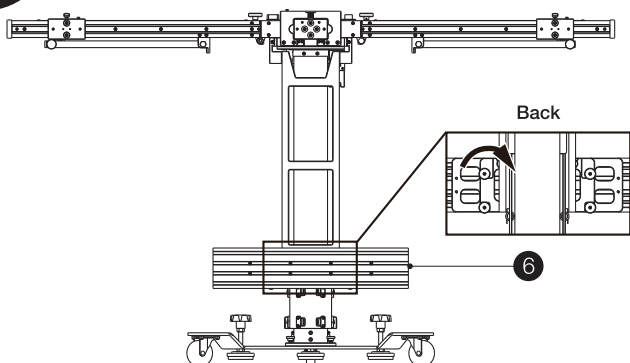


The lower crossbar is divided into three segments: left arm, arm connector, and right arm. Remove all protective covers from the unassembled crossbar.



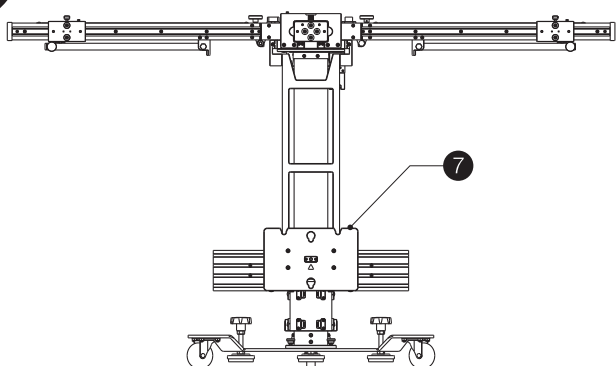
NOTE: The camera version of the calibration frame has six protective covers. The laser version has four protective covers.

2



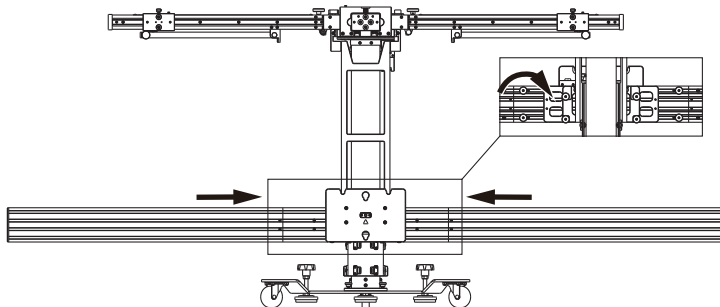
Hang the arm connector (6) on the lower crossbar holder and secure it by tightening the four knobs on the back.

3



Attach the large sliding plate (7) to the arm connector.

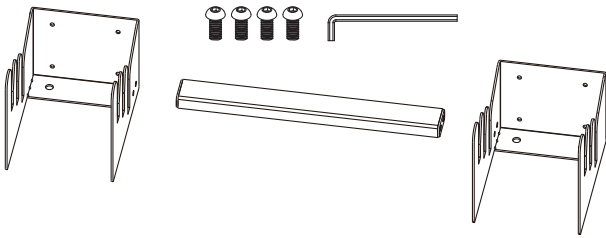
4



Connect the left and right arms to the arm connector. Remember to loosen all knobs on the left and right arms before connecting. Tighten all knobs after the crossbar is firmly connected.

Assembling and Installing the Storage Brackets

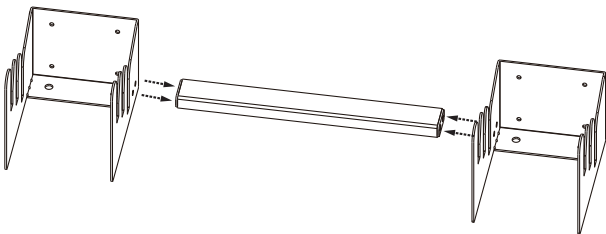
1



Preparation:

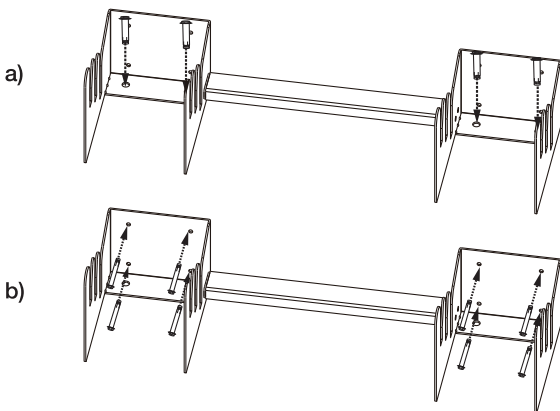
Remove all items needed for assembling the storage brackets from their package.

2



Attach the two brackets with the connecting bar, and tighten them using the Allen key (5 mm) and the four socket head cap screws (M8 x 20).

3



After assembly, the storage brackets can be secured to either the floor or the wall.

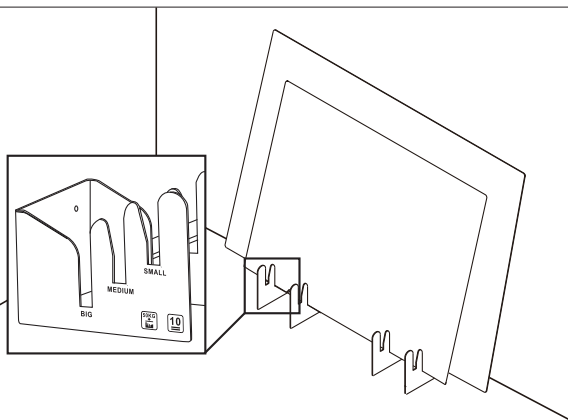
a) Secured to the Floor

Place the assembled storage brackets on the floor. Fully insert the four expansion bolts (M12 x 80) into each of the four holes shown in the illustration to secure the storage brackets on the floor. (Depending on the construct of the floor, additional tools and/or fasteners may be needed.)

b) Secured to the Wall

Attach the assembled storage brackets to the wall. Fully insert the eight expansion bolts (M6 x 50) into each of the eight holes shown in the illustration to secure the storage brackets to the wall. (Depending on the construct of the wall, additional tools and/or fasteners may be needed.)

4



The storage brackets are now ready for placing pattern boards in big, medium, and small sizes. Place them into their appropriate slots.